

Relay Interface Kit for MegaLine

3 109 72



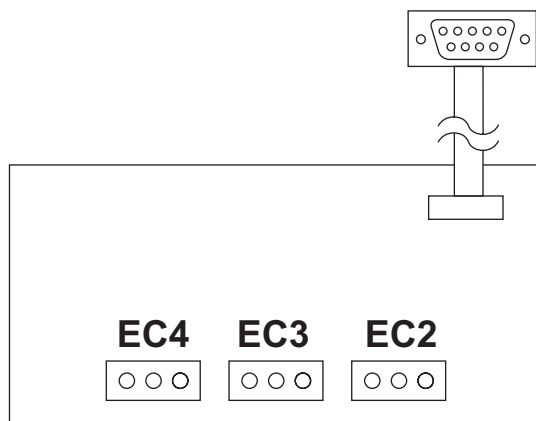
1. GENERAL FEATURES

The interface signals, by opening or closing the isolated contacts of a relay, the operating status of the UPS.

The signals the we can receive are the following:

- Network operation
- Battery operation
- Back-up time reserve capacity
- Fault (overload or internal fault)

The Relay Interface is pre-arranged with a DB9 output to be connected to one of the two logic contact ports on MegaLine.



- **EC2** ("NETWORK / BATTERY" signal): using this relay it is possible to signal whether the UPS is running on the network or on batteries.
- **EC3** ("ALARM" signal): using this relay you will receive the signal when a module fails or when the UPS is overloaded.
- **EC4** ("BACK-UP TIME RESERVE CAPACITY" signal): using this relay you will receive the back-up time reserve capacity signal (batteries are down due to prolonged lack of voltage).

NOTE. By inserting jumper J1, J2 and J3 the "ALARM" and "BACK-UP TIME RESERVE CAPACITY" signals are combined.

The pinout for connectors EC2, EC3, EC4 is the following:

- "C" contact: common contact of the relay.
- "NO" contact: normally open contact of the relay.
- "NC" contact: normally closed contact of the relay.

The maximum capacity of the relay contacts is 1 A (150 Vdc or 125 Vac).